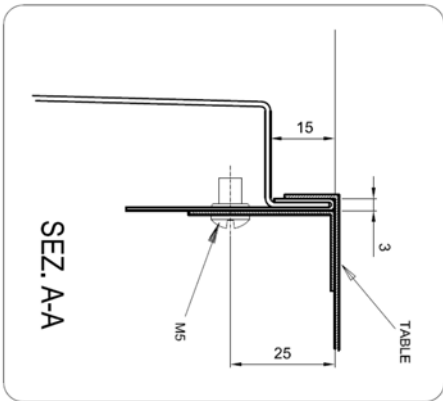
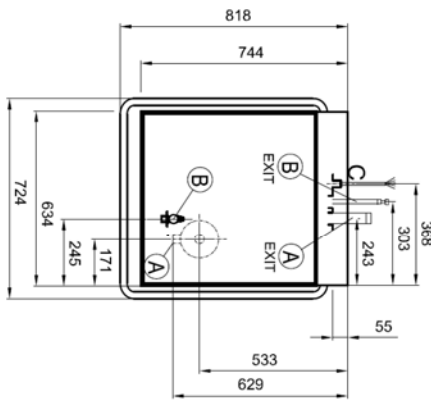


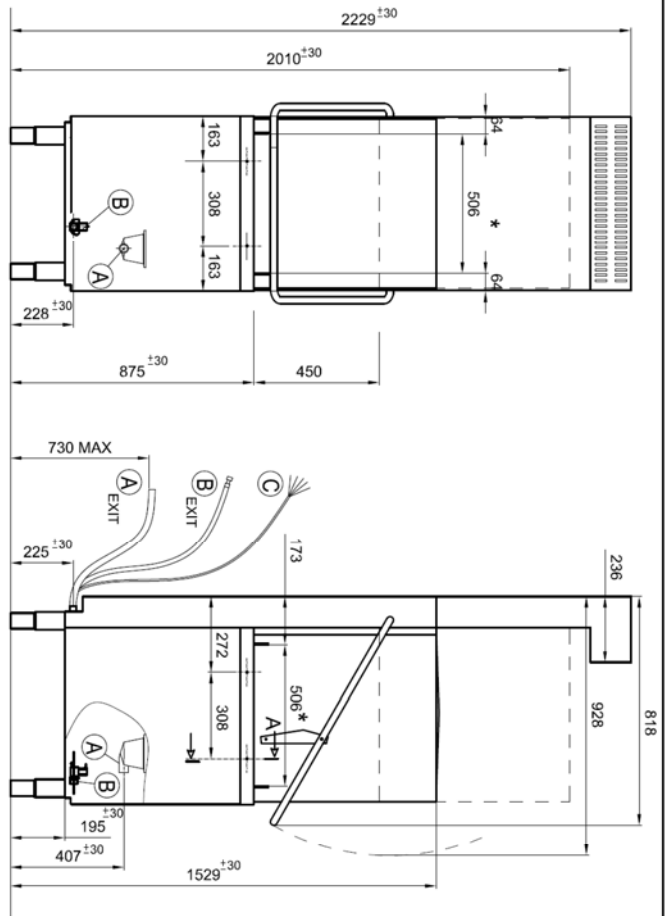
	Model	LCP4550EDBDRC	
	Code Production	GH50TTRINFCDD +(RC)	
Interface :			
	Overall Dimension (Width-Depth-Height) *open	mm	724x818x2229
	Packaging Dimension (WxDxH) + (additional RC package)	mm	760x840x1520 +(80x75x30)
	Gross weight +(RC)	Kg	120+(25)
	Net weight +(RC)	Kg	110+(23)
	Volume +(RC)	mc	0,97+(0,15)
	Rack size	mm	500x500
	Max door /hood opening	mm	450
	Max glasses/plate Height	mm	425/440
	General construction		single skin
	Door/hood Construction		double skin
	Tank construction		fully deep drawn
	Tank volume	liter	20
	Tank heating element	W	2500
	Tank surface strainers		yes - composite
	Wash pump type		double flow
	Wash pump power	W	650
	Wash temperature	°C	60
	Boiler type		without pressure
	Boiler volume	liter	12
	Back-flow system		break tank
	Boiler heating element	W	8000
	Rinse booster pump		yes
	Rinse booster pump power	W	200
	Rinse temperature	°C	80
	Rinse water consumption	Liter /rack	2,2
	Optimal external water pressure	bar	2 - 4
	Drain system		partial drain
	Drain pump		standard built in
	Rinse aid dispenser		yes
	Detergent dispenser		yes
	Heat recovery fan	W	50
	Heat recovery air flow	m ³ /h	680
	Residual heat emission SENSITIVE	KW	0,6
	Residual heat emission LATENT	KW	0,5
	Wash cycle	sec	60 - 120 - 150 - continuous
	Water softner	Continuous type	no
	Electric Power	W	8700
	Electric Connection	V - ph - Hz	400V 3N 50Hz
	Fuse	A	16
	Plates racks	Nr1	780131
	Flat Rack	Nr1	780132
	Cutterly Rack	Nr1	780139
	Electric cable		yes

Drain hose	yes
Fill hose	yes

A		Ø 35 mm M	A		Ø 35 mm M
B		G 3/4" M	B		G 3/4" F
C		Power supply			



* LUCE UTILE PER CESTELLO
 USEFUL SPACE FOR BASKET
 LUMIERE UTILE POUR PANIER
 NUTZARE OFFNUNG FÜR KORBE
 ABERTURA UTIL PARA CESTO



Installation layout		Hood type with steam condenser and drain pump	
Designed by:	M.PUCCI	Date:	15/07/2014
Code:	GH50RPS_00	Rev.:	

